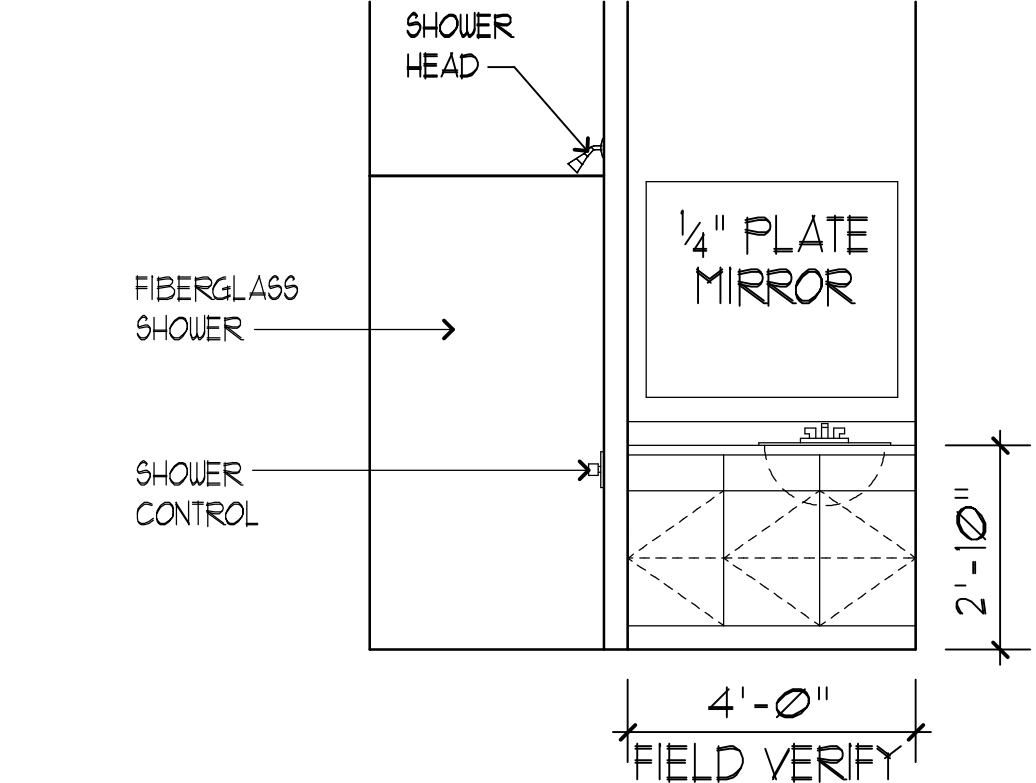
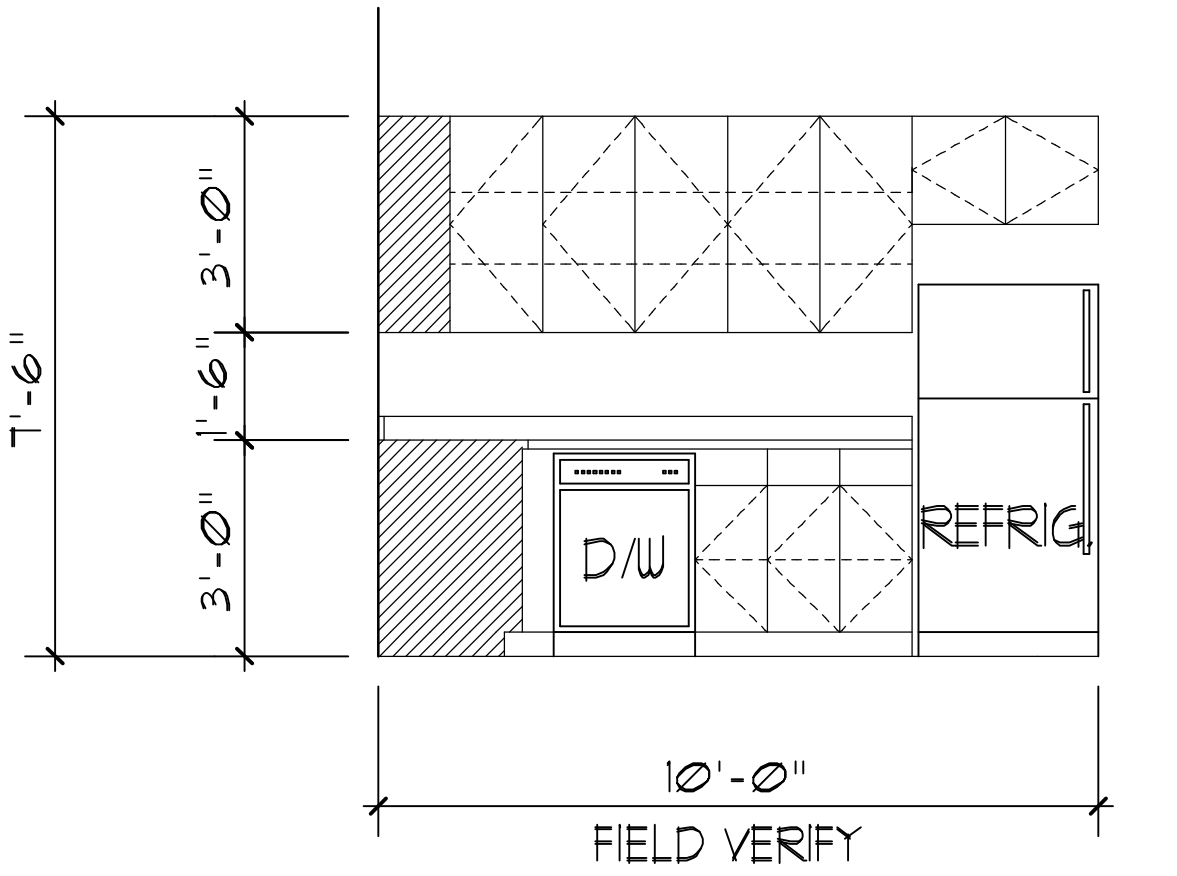


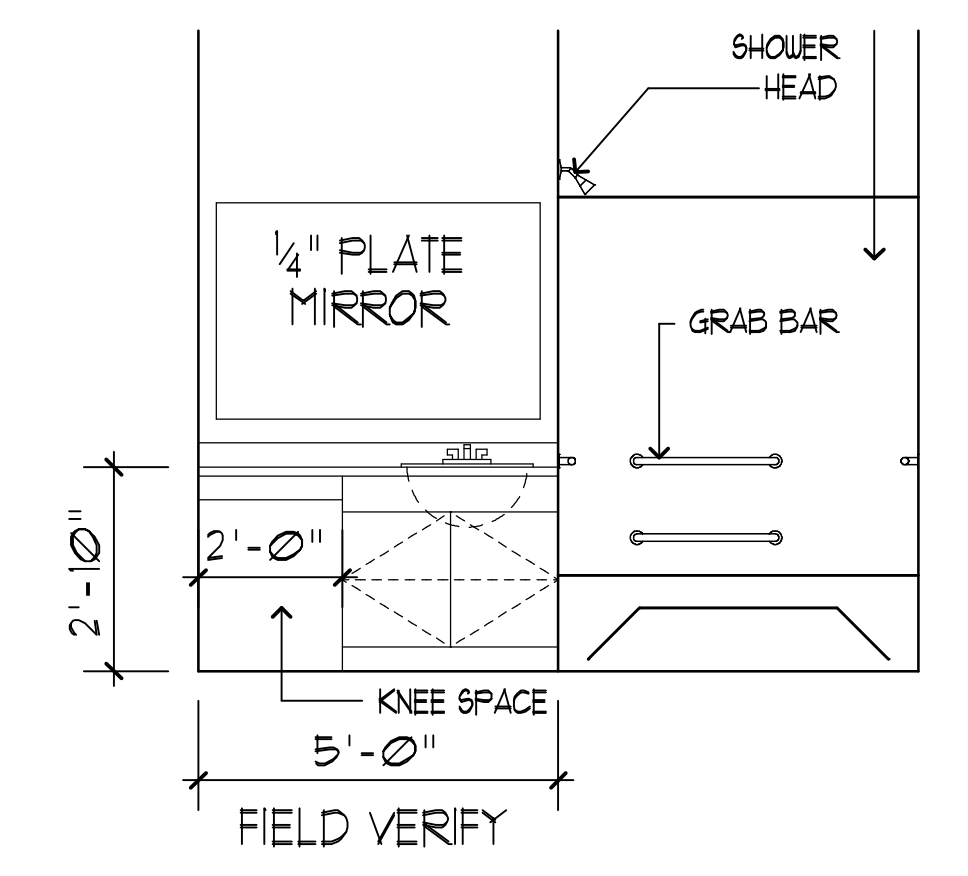
NOTE ALL EXPOSED WOOD SURFACES TO BE PAINTED
17 ADA VANITY DETAIL
 1/4" FLYW/D
 2"-3" MIN
 2'-5" MIN
 2'-10" MAX
 8" MIN
 8"



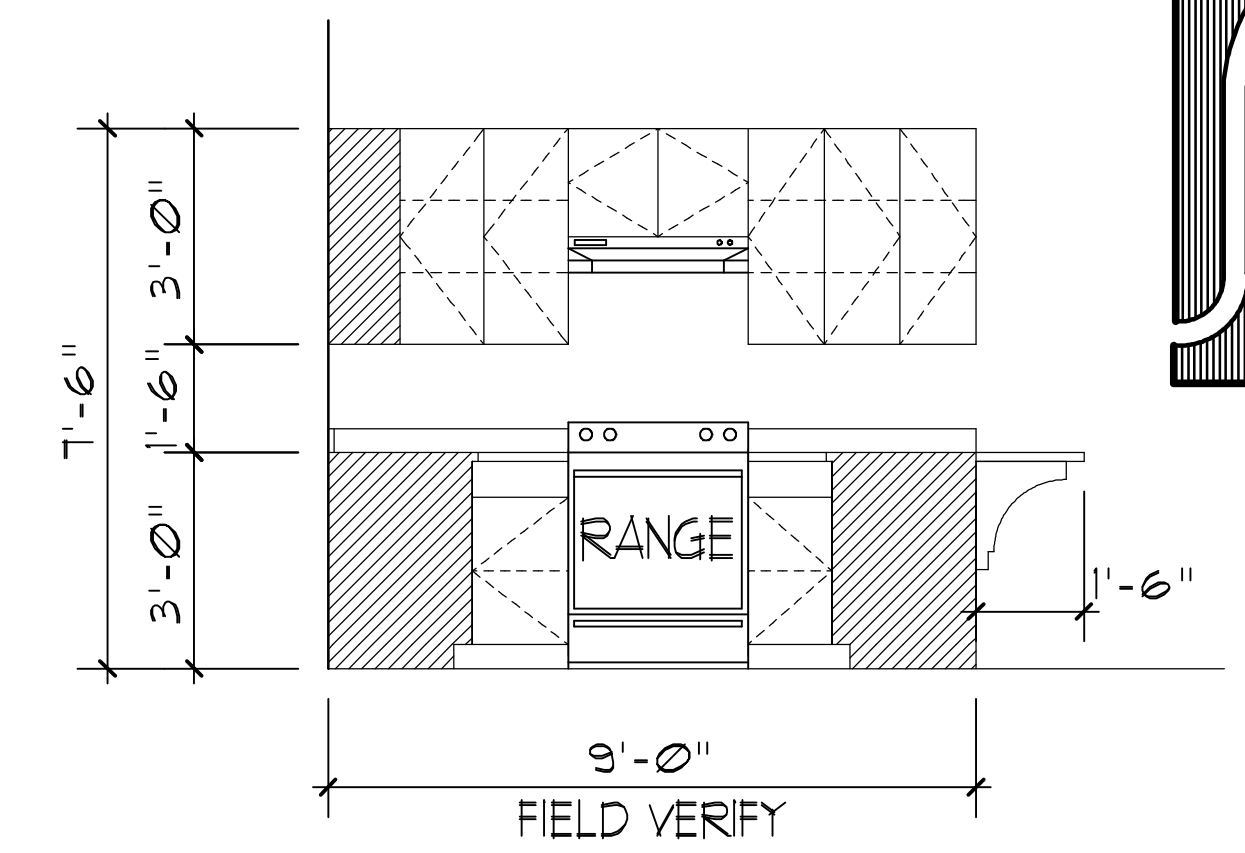
16 BATH 102 ELEV TWO BED UNIT
 3/8"=1'-0"
 1/4" PLATE MIRROR
 4'-0" FIELD VERIFY
 2'-10" FIELD VERIFY



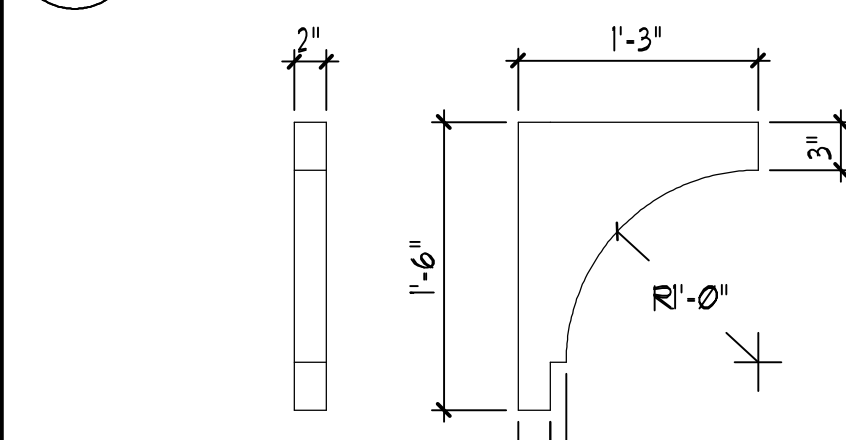
9 KITCHEN 108 ELEV ONE BED UNIT
 3/8"=1'-0"
 10'-0" FIELD VERIFY
 7'-6" FIELD VERIFY



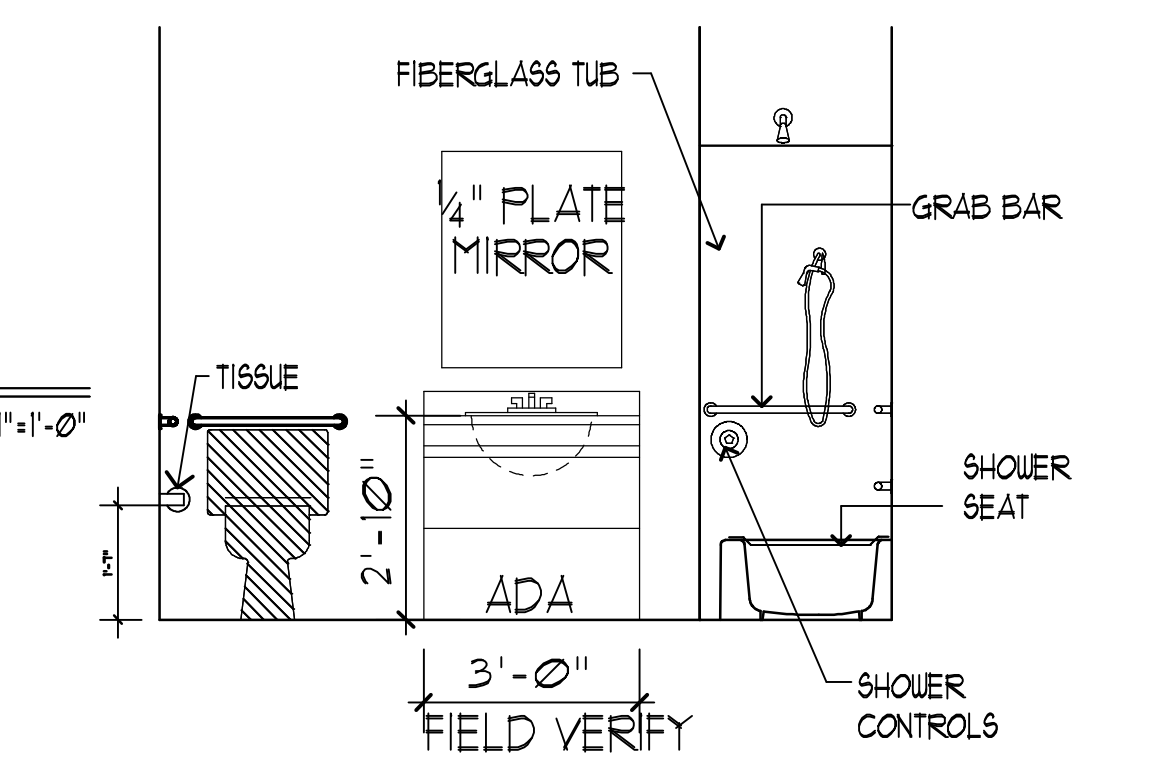
5 BATH 112 THREE BED UNIT
 3/8"=1'-0"
 1/4" PLATE MIRROR
 2'-10" FIELD VERIFY
 5'-0" FIELD VERIFY



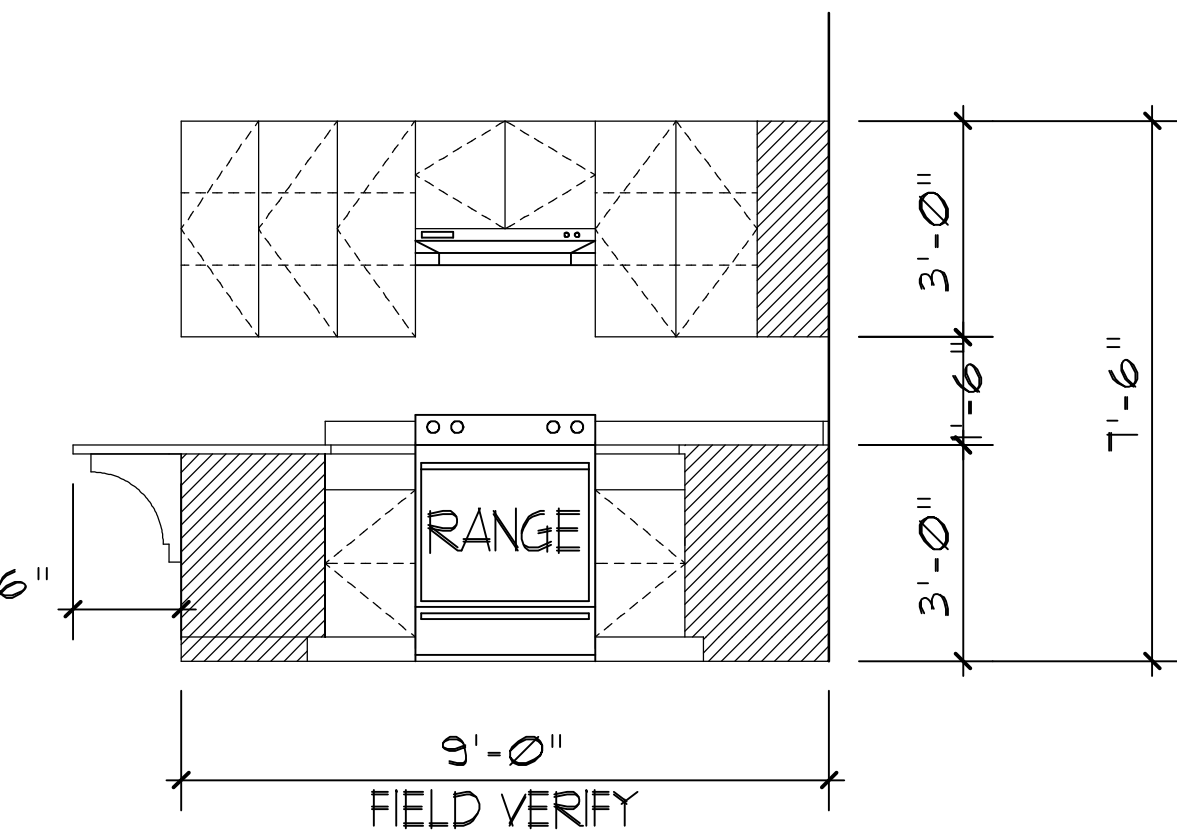
4 KITCHEN 102 THREE BED UNIT
 3/8"=1'-0"
 9'-0" FIELD VERIFY
 7'-6" FIELD VERIFY



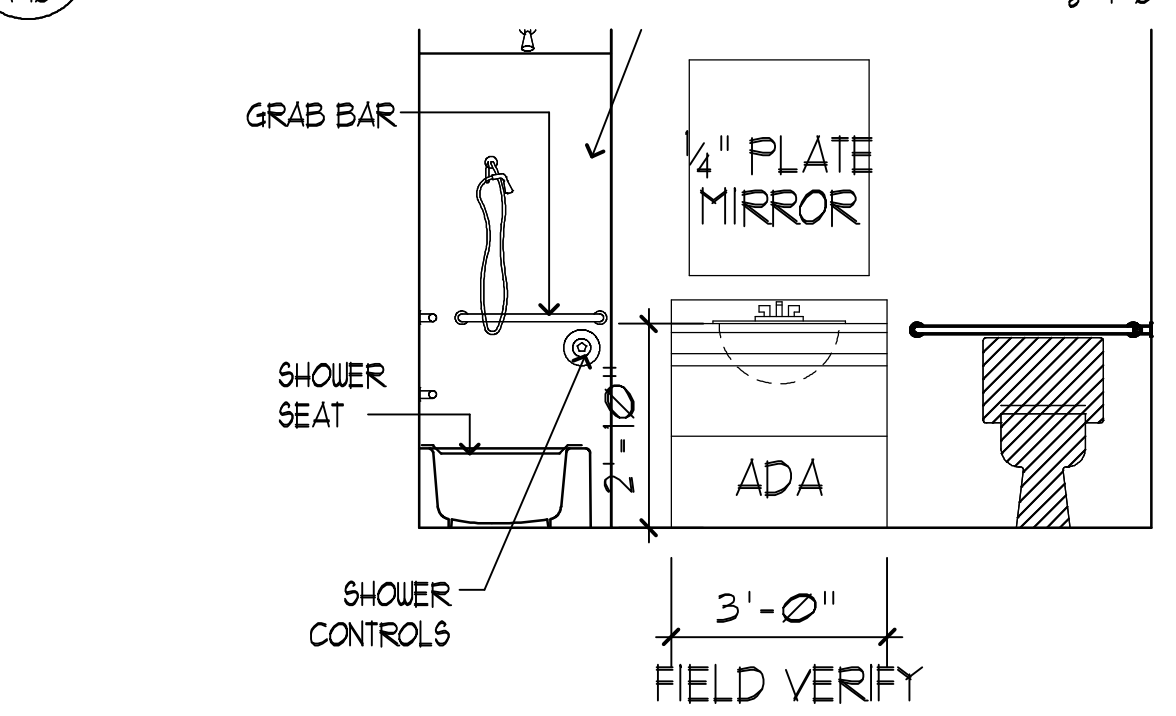
18 BRACKET DETAIL
 1'-6" FIELD VERIFY
 1'-3" FIELD VERIFY
 3" FIELD VERIFY



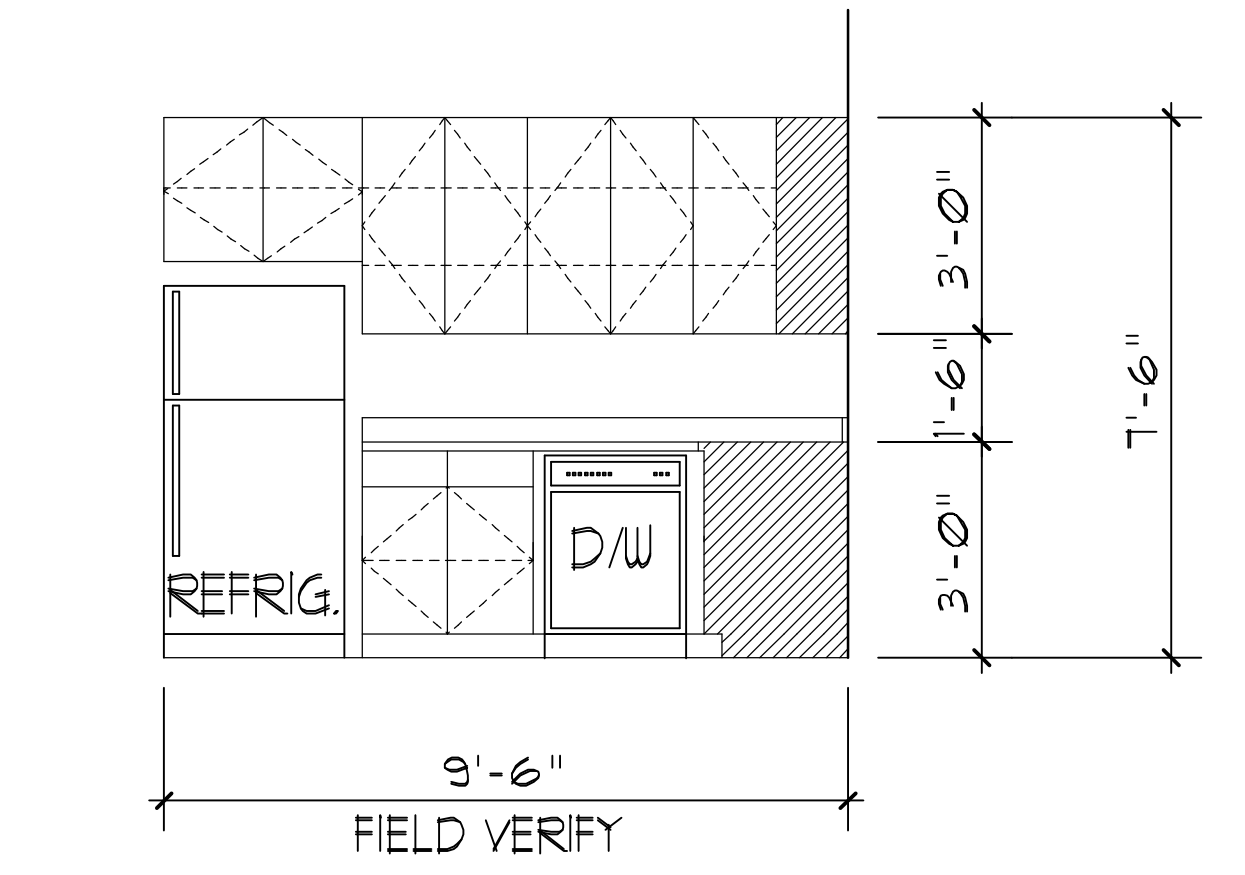
15 BATH 106 ELEV TWO BED UNIT
 3/8"=1'-0"
 4" PLATE MIRROR
 3'-0" FIELD VERIFY
 7'-6" FIELD VERIFY



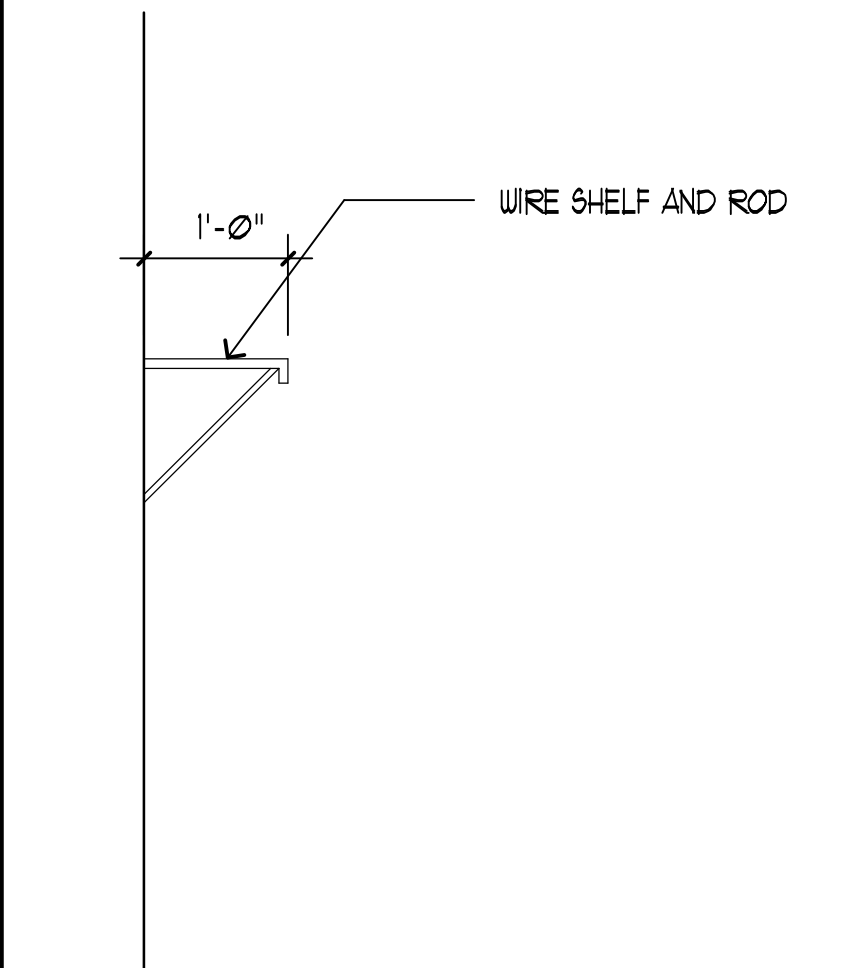
10 KITCHEN 108 ELEV ONE BED UNIT
 3/8"=1'-0"
 9'-0" FIELD VERIFY
 7'-6" FIELD VERIFY



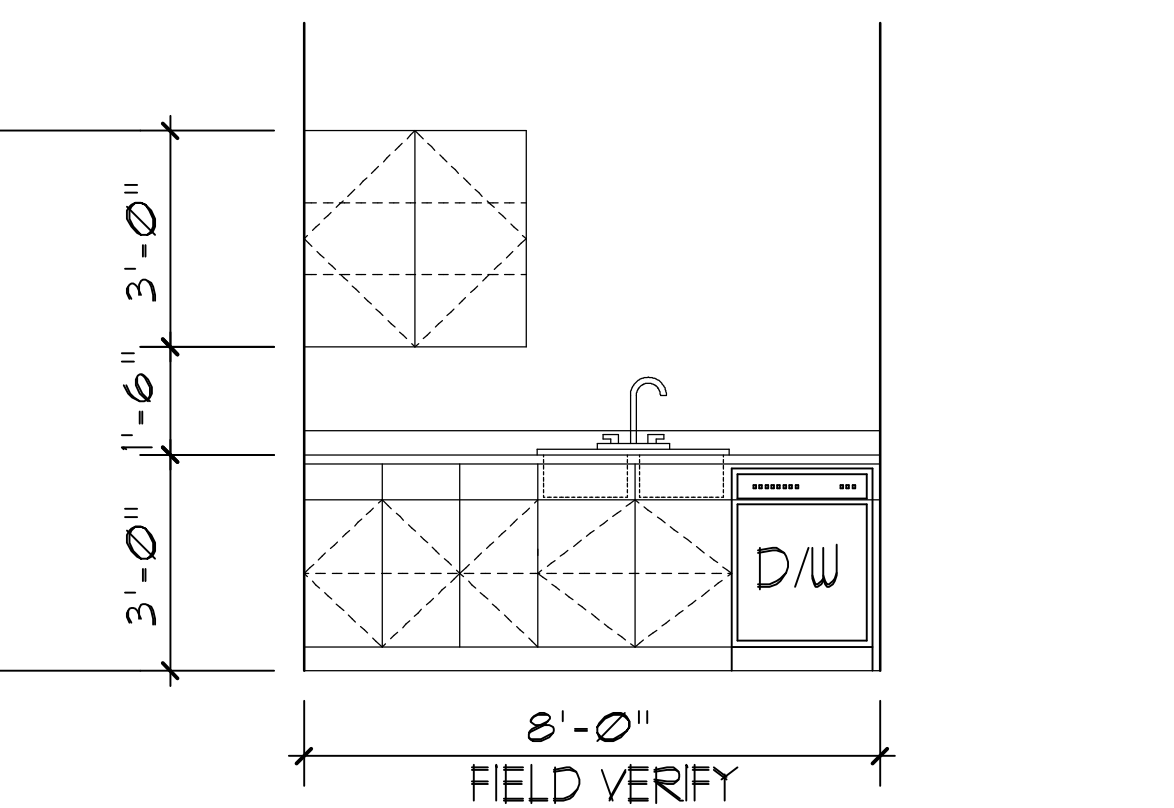
6 BATH 104 THREE BED UNIT
 3/8"=1'-0"
 4" PLATE MIRROR
 3'-0" FIELD VERIFY
 7'-6" FIELD VERIFY



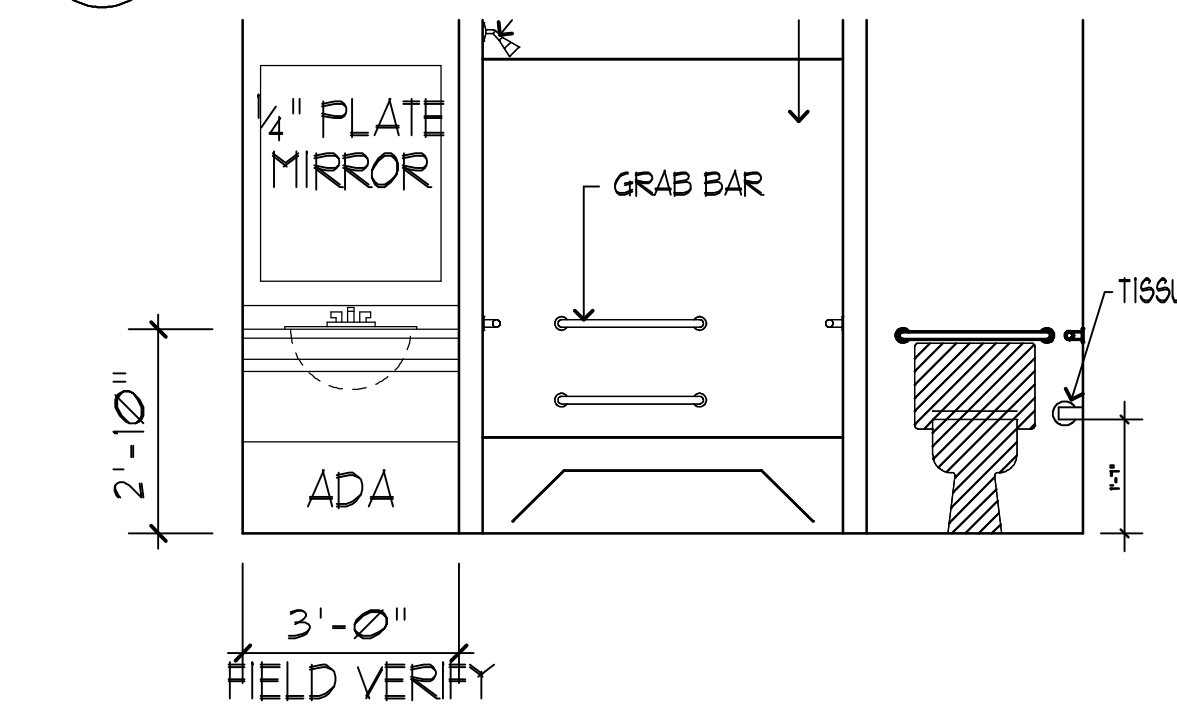
3 KITCHEN 102 THREE BED UNIT
 3/8"=1'-0"
 9'-6" FIELD VERIFY
 7'-6" FIELD VERIFY



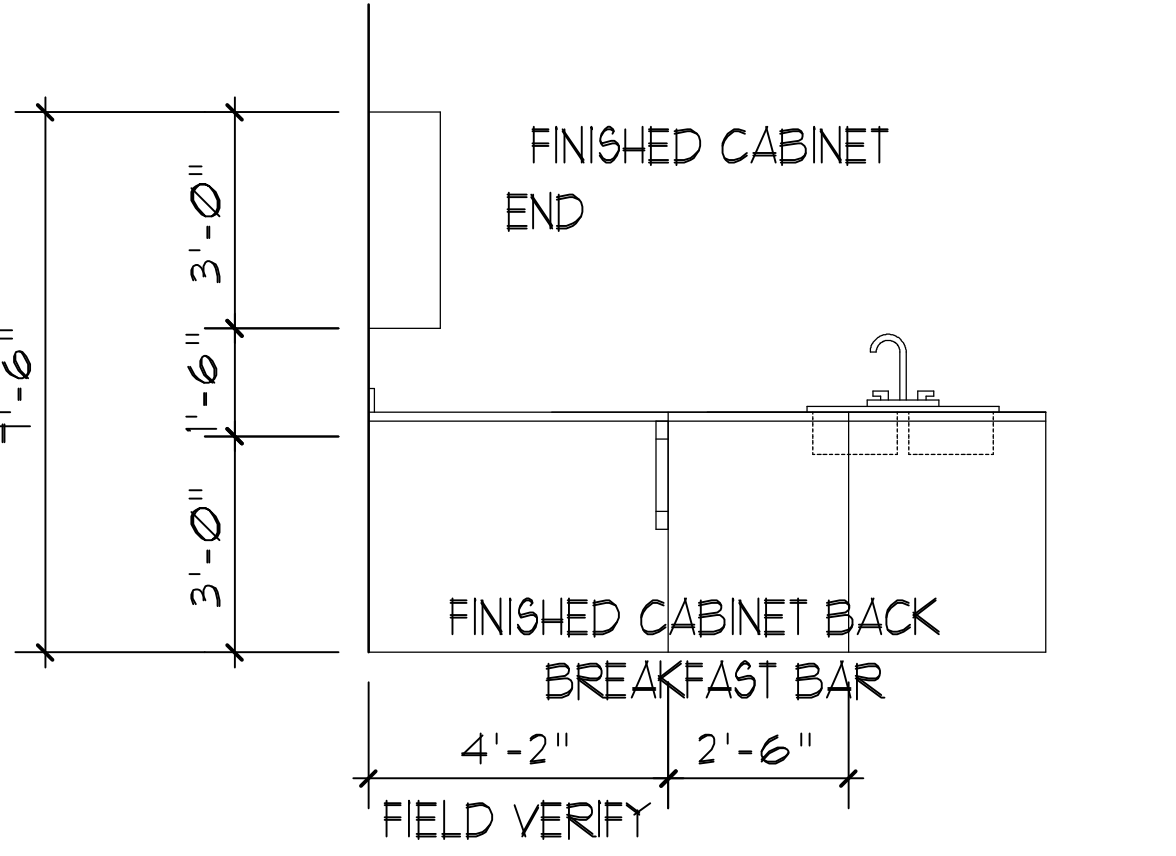
19 SHELF AND ROD
 1'-0" FIELD VERIFY



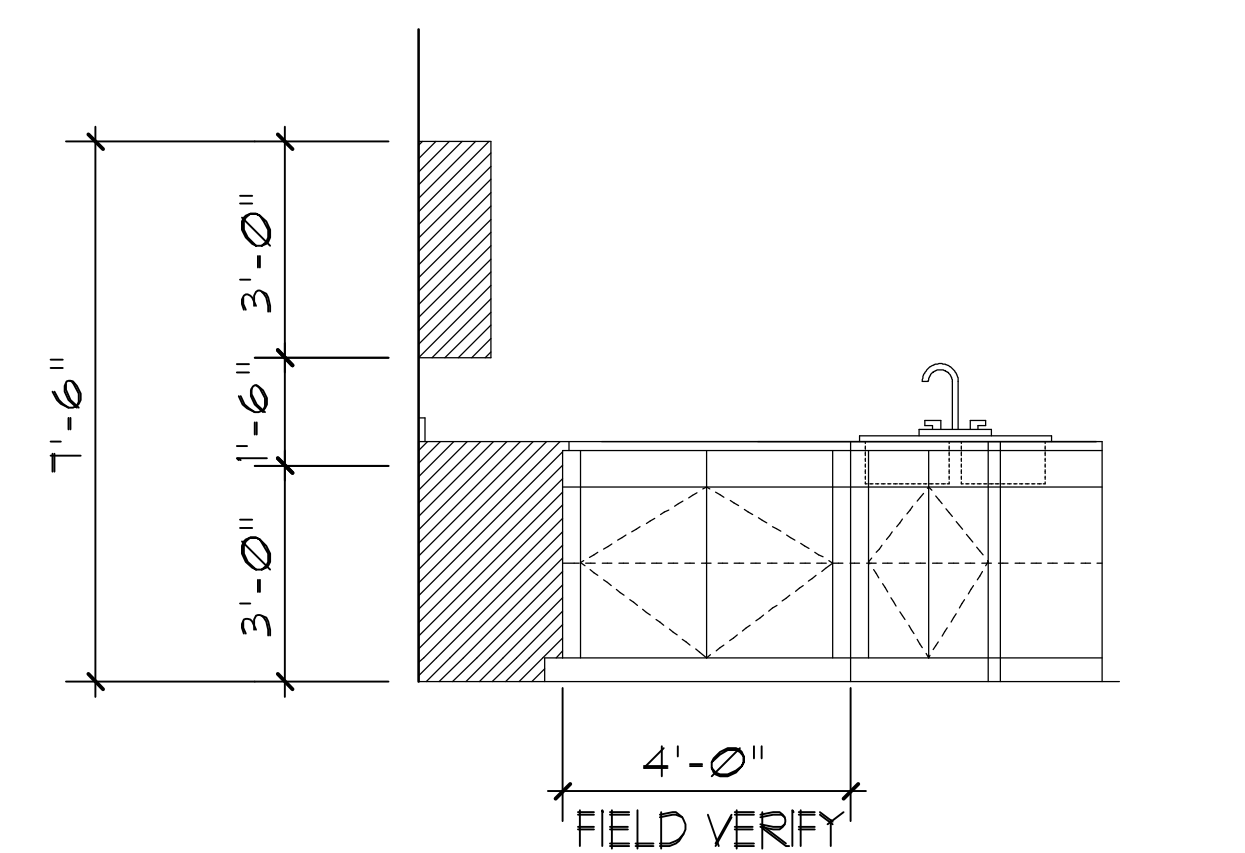
14 KITCHEN 101 ELEV TWO BED UNIT
 3/8"=1'-0"
 8'-0" FIELD VERIFY
 7'-6" FIELD VERIFY



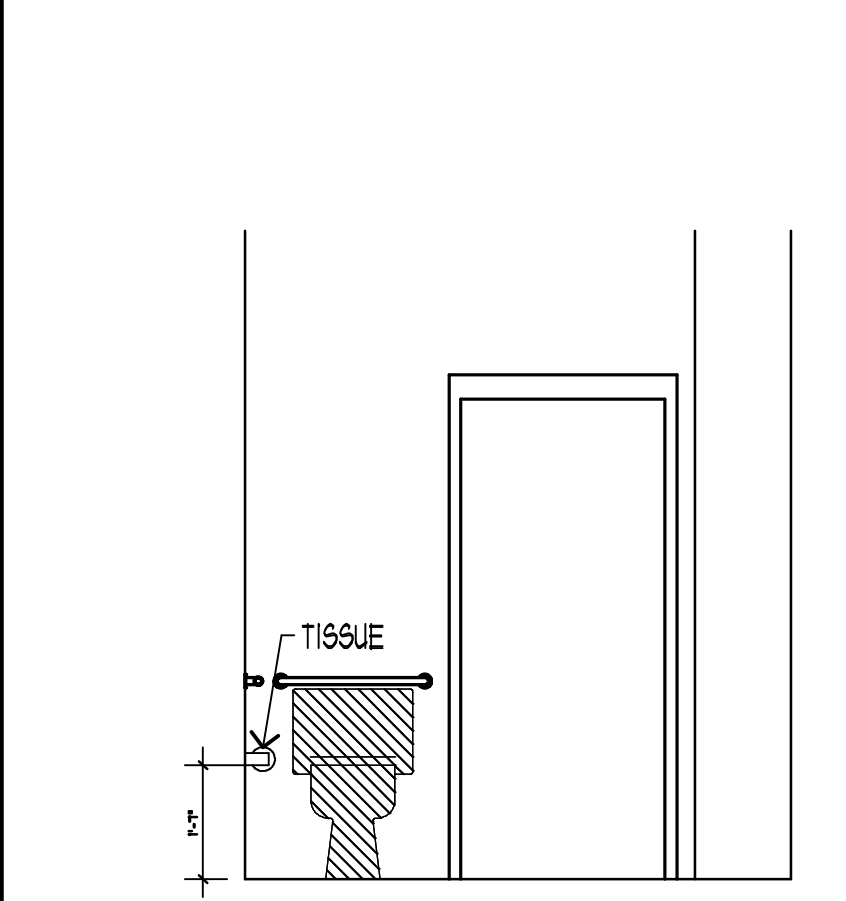
11 BATH 104 ELEV ONE BED UNIT
 3/8"=1'-0"
 4" PLATE MIRROR
 3'-0" FIELD VERIFY
 7'-6" FIELD VERIFY



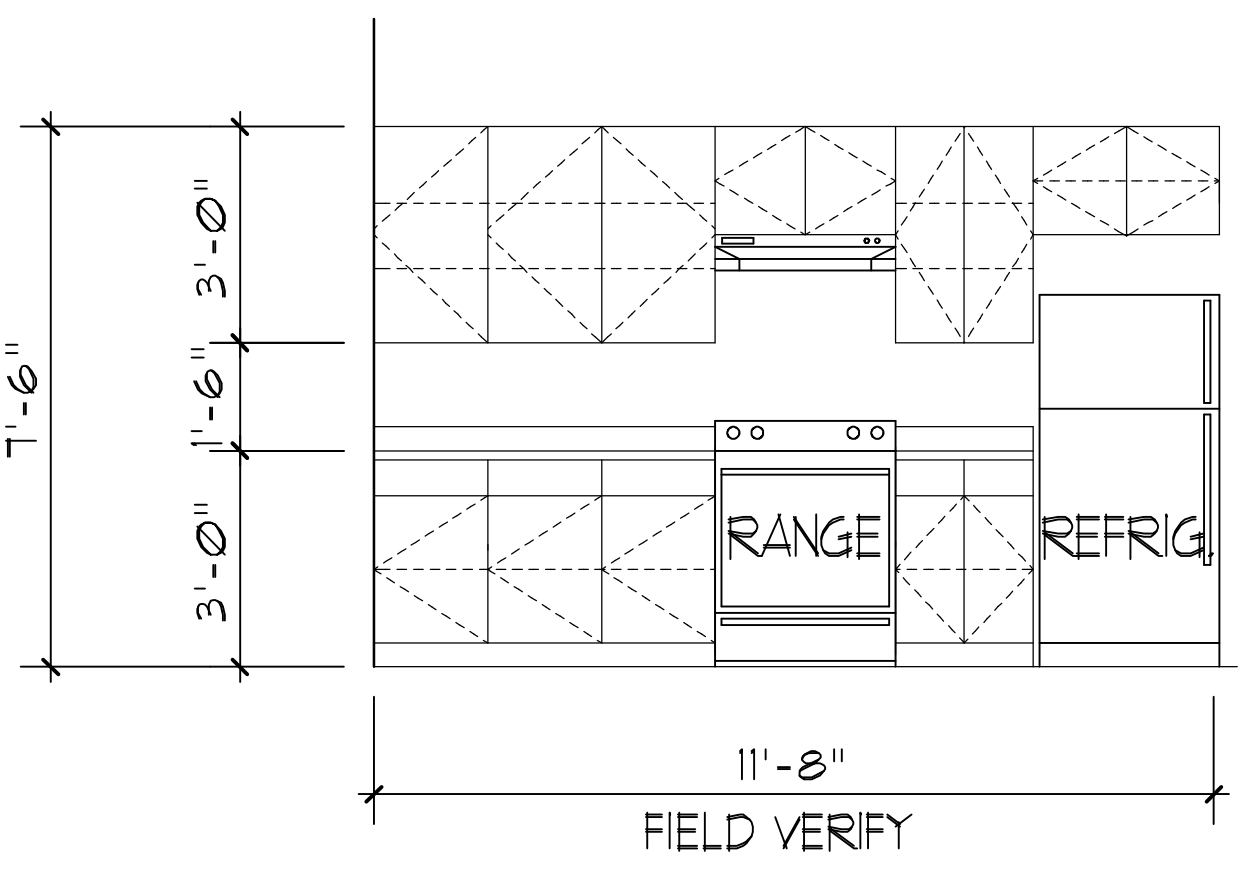
7 KITCHEN 108 ELEV ONE BED UNIT
 3/8"=1'-0"
 4'-2" FIELD VERIFY
 2'-6" FIELD VERIFY



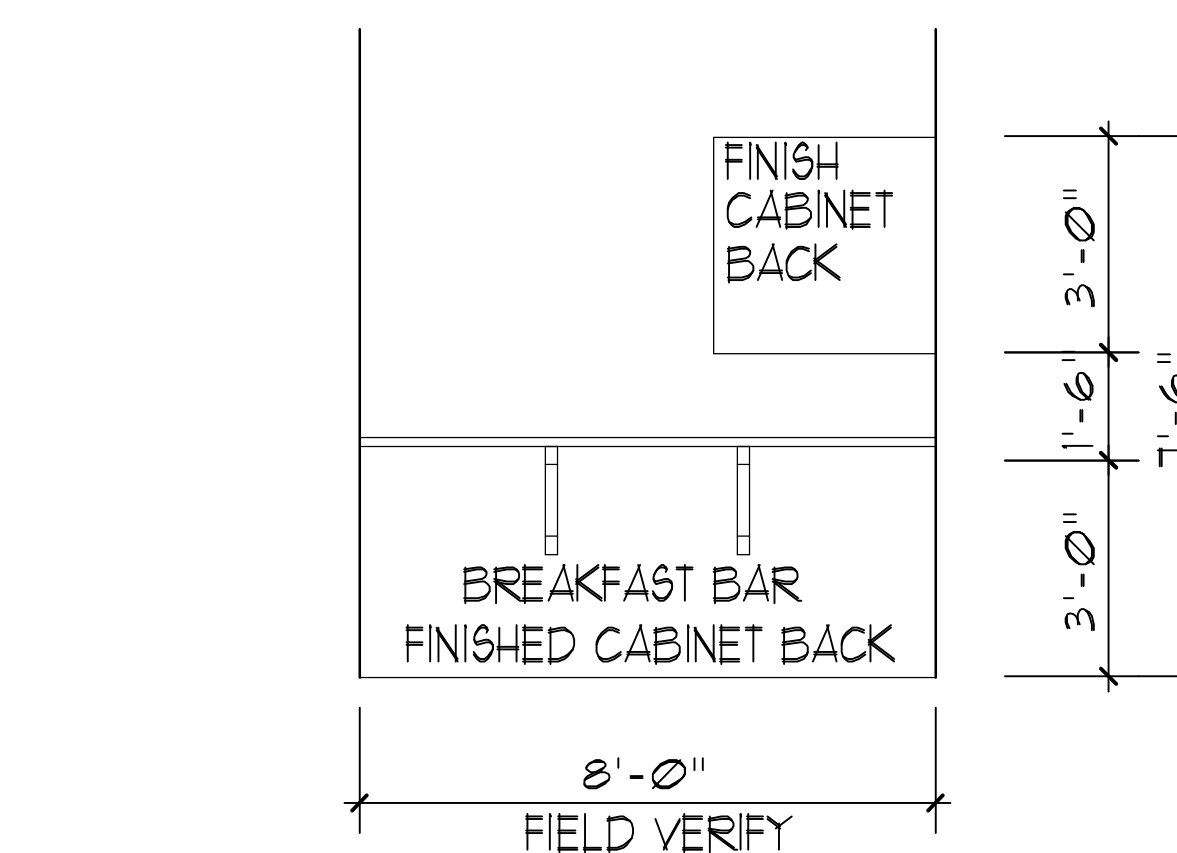
2 KITCHEN 102 THREE BED UNIT
 3/8"=1'-0"
 4'-0" FIELD VERIFY
 7'-6" FIELD VERIFY



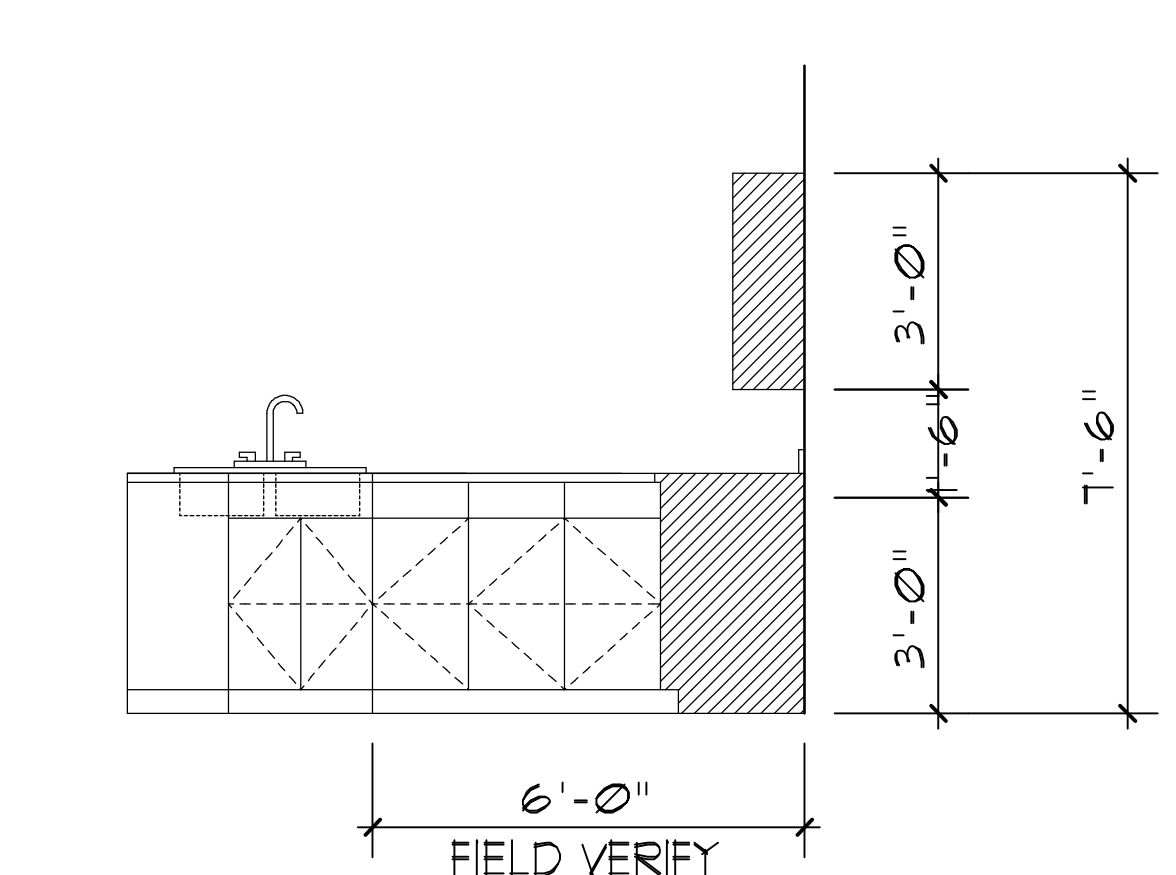
20 BATH 102 ELEV TWO BED UNIT
 3/8"=1'-0"
 1'-6" FIELD VERIFY
 3'-0" FIELD VERIFY



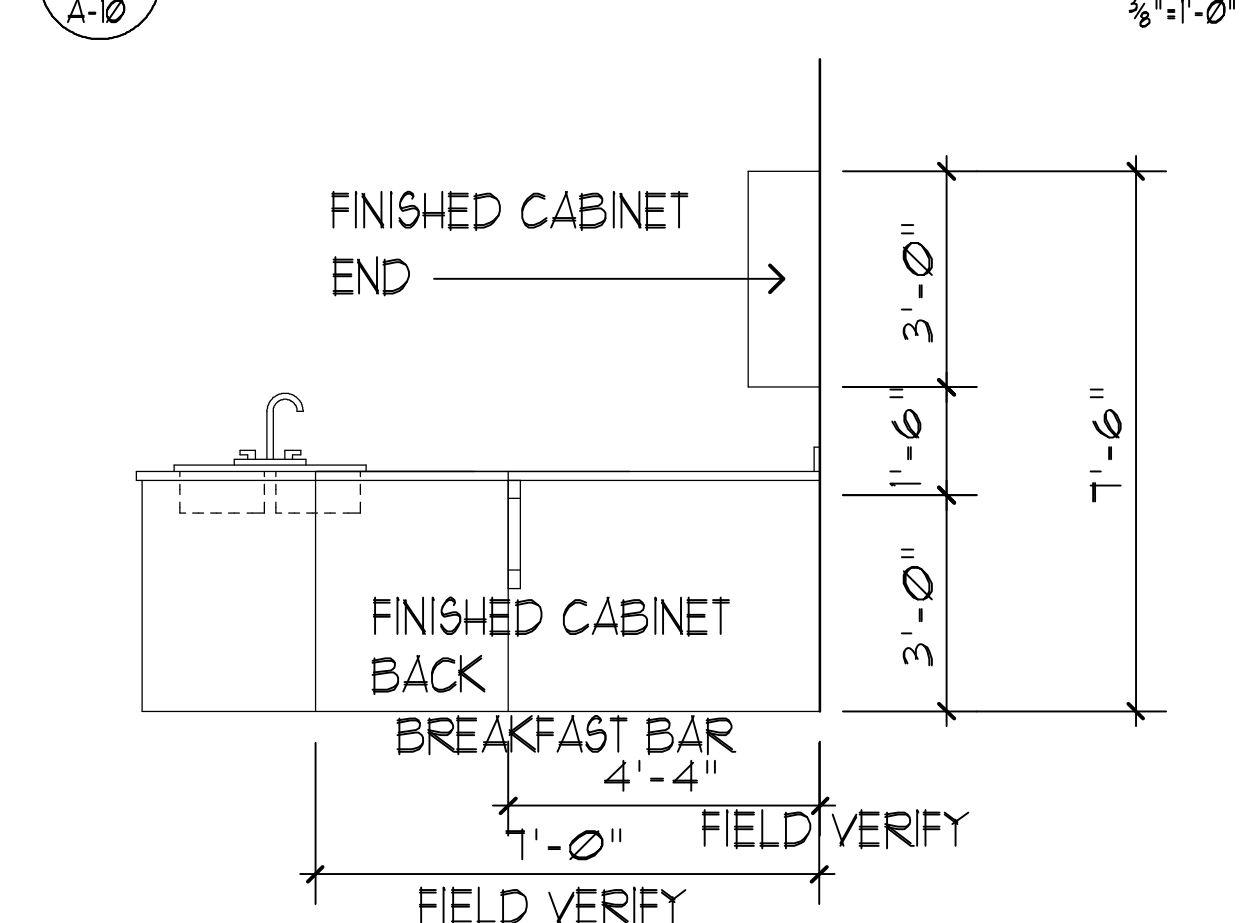
13 KITCHEN 101 ELEV TWO BED UNIT
 3/8"=1'-0"
 11'-8" FIELD VERIFY
 7'-6" FIELD VERIFY



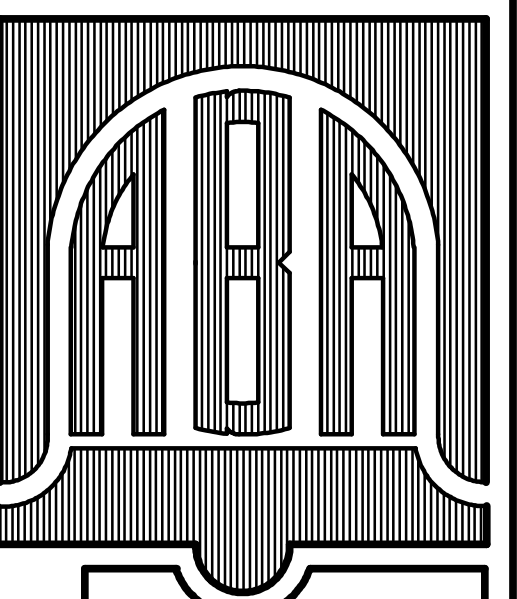
12 KITCHEN 101 ELEV TWO BED UNIT
 3/8"=1'-0"
 8'-0" FIELD VERIFY
 7'-6" FIELD VERIFY



8 KITCHEN 108 ELEV ONE BED UNIT
 3/8"=1'-0"
 6'-0" FIELD VERIFY
 7'-6" FIELD VERIFY



1 KITCHEN 102 THREE BED UNIT
 3/8"=1'-0"
 4'-4" FIELD VERIFY
 7'-6" FIELD VERIFY

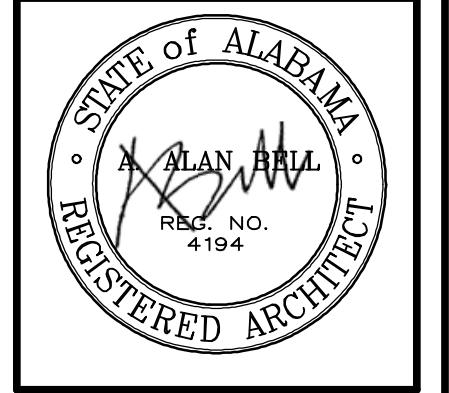


ALAN BELL ARCHITECT INC
 ARCHITECTURE, ENGINEERING, PLANNING
 ASSOCIATES
 MARK SMITH, DOUGLAS ELKINS
 LORI MOON, LARRY TRANSONE, ADAM LONG
 alanbellarchitect.com
 211 GORDON ST
 BREMEN, GA
 770-537-8856

REVISIONS	BY

NEW APARTMENTS FOR
PIER POINT
 LINCOLN, ALABAMA

CONTRACTOR SHALL VERIFY ALL CONDITIONS AND DIMENSIONS BEFORE EXECUTING ANY WORK. THIS DOCUMENT IS THE SOLE PROPERTY OF ALAN BELL ARCHITECT AND SHALL NOT BE COPIED IN WHOLE OR IN PART WITHOUT EXPRESSED WRITTEN CONSENT FROM ALAN BELL ARCHITECT.



DATE: MARCH 11, 2010
 SCALE: AS NOTED
 JOB NO.: 08034-HII
 SHEET
A-10
 OF 11 SHEETS